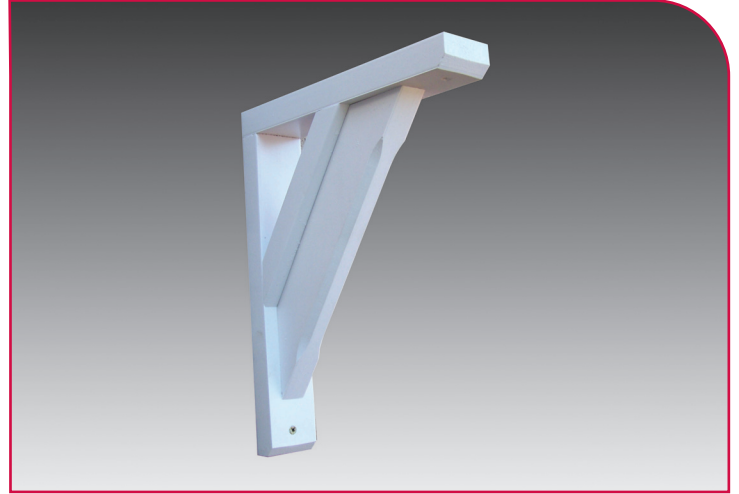


Product Information

www.freefoam.com

marketing@freefoam.com

Gallows Bracket



Features

- Made from recycled High Impact Polystyrene
- 10 year guarantee
- Class 1 fire rated
- Looks and feels like timber

Benefits

- Able to withstand high weight loading
- Easy installation
- Low maintenance
- No rotting, splitting or warping
- Eco friendly product
- Thermally efficient
- Water resistant
- Bespoke sizes can be produced

A decorative architectural bracket manufactured from tough High Impact Polystyrene offering the look and feel of finely crafted timber but without the maintenance concerns.

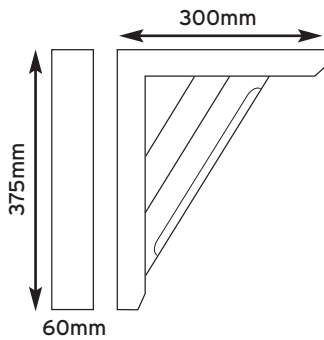
A stylish and durable product ideal for use under canopies, bay and oriel windows. Available in three sizes and two styles - straight and decorative.

Code	Product Description	Size	Units per pack	Available colours
FGBS1	Plain bracket	375mm x 300mm x 60mm	2	White
FGBS2	Plain bracket	565mm x 400mm x 60mm	2	White
FGBS3	Plain bracket	750mm x 600mm x 60mm	2	White
FGBD1	Decorative bracket	375mm x 300mm x 60mm	2	White
FGBD2	Decorative bracket	565mm x 450mm x 60mm	2	White
FGBD3	Decorative bracket	750mm x 600mm x 60mm	2	White

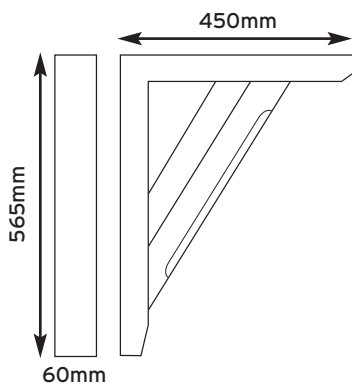
T 01604 591110



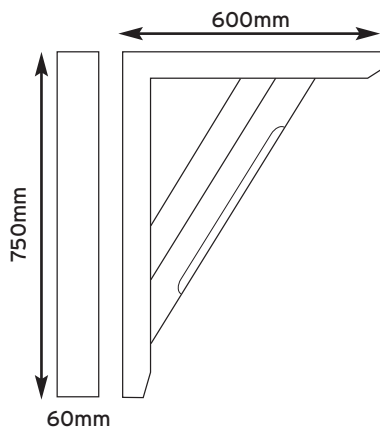
375mm x 300mm x 60mm
structural max. 58 kg



565mm x 450mm x 60mm
structural max. 78 kg



750mm x 600mm x 60mm
structural max. 78 kg



Fitting instructions

Tools and Fixings required

Power Drill

Pilot drill bit

Hammer

12mm x 100mm / 12mm x 150mm sleeve anchors

12mm x 200mm Masonry drill bit

Spirit Level

Goggles

- 1** Position bracket on wall where it will require fitting.
- 2** Pilot drill through the pre-drilled holes to mark on wall where fixings will be required.
- 3** Using a 12mm x 200mm masonry drill bit, bore holes in wall to accept fixings.
- 4** Re-position bracket on wall.
- 5** Place 2 / 3 (depending on height of bracket), 12mm x 100mm / 12mm x 150mm (depending on thickness of bracket) Fischer style sleeve anchors through bracket into hole in wall. It may be necessary to lightly tap fixing with hammer to fully insert in hole.
- 6** Tighten sleeve anchor until bracket is fully secured to wall.
- 7** Check that bracket is both plumb and at 90 degrees to wall.

www.freefoam.com

sales@freefoam.com

77-83 St James Mill Road
Northampton
NN5 5JP

T: 01604 591110
F: 01604 580299

